

Onity

Serene™ Luxury Lock

**Beautifully
designed,
inside & out.**



Serene, from Onity, is a sleek all-in-one lock designed both inside and out for luxury hotels. Its small glowing halo of light symbolizes both timeless design and leading-edge DirectKey mobile access technology that allows guests to unlock their room with ease as they approach the door. And, with a range of lever styles and finishes, Serene can be customized to fit the look of any property. This is a lock both technology specialists and designers can easily and securely, totally love.



DirectKey™ Mobile Access Technology

DirectKey provides a seamless journey, allowing guests to skip the front desk and securely download their assigned key to access their room and other guest-accessed areas of the property.* Serene locks use Bluetooth® technology to stay in a ready state so guests can use a hotel-provided mobile app to unlock as they approach the door. With built-in DirectKey mobile access technology, Serene locks enable properties to easily implement a proven mobile key solution right away, or when they are ready.



Simplified Lock Management

Onity's OnPortal™ lock management software is designed to deliver optimal efficiency, flexibility, and guest satisfaction. OnPortal software manages Onity locks and access control devices for properties, allowing staff to create and manage both mobile and physical key credentials. As a Windows® based system, it can be used side-by-side with a PMS system on a desktop PC or on a tablet so you can greet guests away from the desk.



Advanced Security

Onity's DirectKey system protects mobile key credentials using 128-bit AES encryption which provides an additional layer of security on top of locking system features built into Serene locks such as user access permissions and audit trails. Serene is available in ANSI standard and ANSI latch-only configurations.

Future Proof for Advanced Technology

Onity's DirectKey mobile toolkit offers a convenient way to manage locks through contactless communication between a smartphone and Serene locks via Bluetooth technology. Qualified hotel technicians can use the toolkit to install, manage, or troubleshoot Serene locks. As Onity access management systems evolve, Serene lock firmware can be upgraded through a firmware utility to optimize lock performance and add new features.

**Finally, this is a lock both
form and function can love.**

*Implementation requirements vary and may include integration with a hotel loyalty app, property management system and Onity OnPortal access management software.

Customize your look

WING



Satin Nickel



Polished Brass



Dark Bronze

GRANADA



Satin Nickel



Polished Brass



Dark Bronze

TOLEDO



Satin Nickel



Polished Brass



Dark Bronze

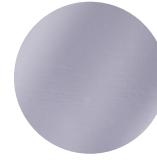
ADDITIONAL FINISHES



Antique Brass



Black Chrome



Polished Chrome



Satin Brass



Satin Chrome

Additional lever options*

If our current line of levers isn't quite what you're looking for, Serene locks are compatible with a range of alternate levers.

*Serene supports designer levers with 8mm square interface.

Credentials

Choose from a variety of access credentials, including mobile keys, key fobs, wristbands, and more.



DirectKey



Keycard



Key Fob



Wristband

OVER
30
YEARS

Electronic locking systems experience

4

MILLION

Bluetooth® locking devices deployed*

20

YEARS

Mobile key credentialing experience*

OVER
5

MILLION

Electronic locks sold

*Bluetooth locking devices and mobile key credentialing solution deployed with Carrier technology across multiple industries.



Serene Luxury Lock

Features

- Soft LED light halo indicates the status of the lock to provide a visual indicator to hotel guests
- Ideal for new construction
- Suits a wide range of designs with finish and lever options
- Upgradable lock firmware
- ADA Compliant
- Lock programming and audit records retained during battery replacement
- Supported by OnPortal enterprise lock management system
- Supports RFID and Bluetooth communications
- Detailed audit trail: 3000 events



*Images are a representation of appearance and do not depict exact scale of lock on door.

Power

Power supply: 1.5 VDC (4x AA alkaline batteries)

Battery Life: 2 years normal life

Battery Location: Inside of the door in electronics module

Lock programming and audit records retained during battery replacement

General

Door Thickness: ANSI – 1.57" - 2.16" (40-55 mm); EURO – 1.38" - 3.74" (35-95 mm)

Minimum Door Stile: 6" (152.4 mm) / 2" Solid vertical edge

ADA Compliant: Yes

System Software Compatibility: Onity OnPortal

BLE Enabled: BLE 5 module included, no further upgrade required

Supported RFID Standards: ISO 14443 A (MIFARE Plus® and MIFARE Ultralight C)

User Interface: Multi colored light pipe around reader indicates lock status and communication

Panic Release Function: Inside lever automatically retracts the deadbolt and latch in emergency situations

Audit Log: Stores last 3000 events

Upgradeable Firmware: Yes

Online Compatibility: RMS future capable, firmware update required

Construction: Steel latch construction with an anti-friction mechanism

Mechanical Key Override: EURO only (key cylinder)

Finishes: Satin Nickel, Satin Chrome, Polished Chrome, Black Chrome, Satin Brass, Polished Brass, Antique Brass, Dark Bronze

Levers: Granada, Toledo, Wing. Supports designer levers with 8mm square interface.

Warranty: 2 years

Environmental

Operating Temperature: (Alkaline batteries) -10C to +80C (14F to +176F)

Storage Temperature: -40C to +85C (-40F to 185F)

Humidity: +60C/95%RH

Lock Case Dimensions

ANSI lock case variants: ANSI Std, ANSI LO, ANSI ADB (future release)

ANSI lock case widths: 1" lock front mortise

ANSI backsets: 2.75"

EURO lock case variants: EURO, EURO ADB

EURO lock case widths: 20 mm (.79"), 24 mm (.94")

EURO backset: 65 mm (2.55")

EURO offset: 72 mm (2.83")

Regulatory Compliance

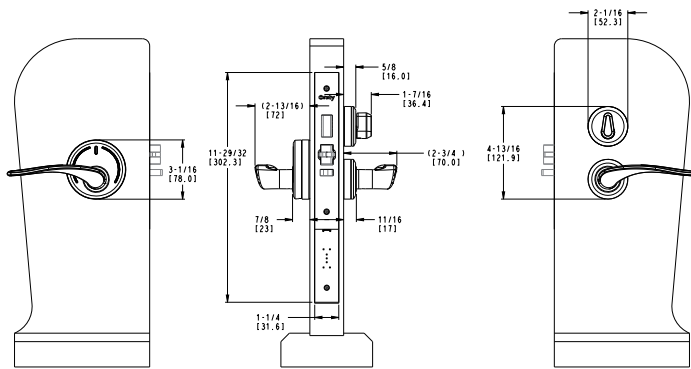
Fire approved per UL10C for F-90 wood core doors and F-180 hours hollow metal doors

Fire approved according to EN 1634-1

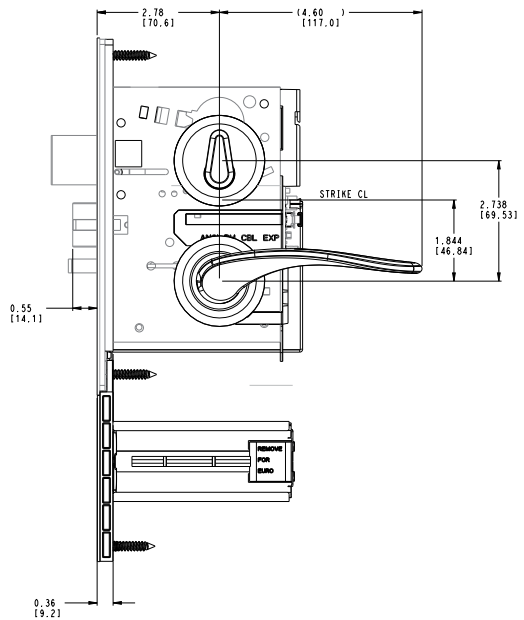
FCC, CE, ISED, ANATEL, RoHS, REACH

This product adheres to environmental regulations established by the current European Union (EU) RoHS and WEEE.

ANSI Lockcase



ANSI Dimensions



serene.onity.com